

Surface Mount Schottky Barrier Rectifiers

Features:

- *For Surface Mount Application
- *Metal-Semiconductor Junction With Guardring
- *Epitaxial Construction
- *Very Low Forward Voltage Drop
- *High Current Capability
- *Plastic Material Has UL Flammability Classification 94V-0
- *For Use In Low , And Polarity Protection Applications

REVERSE VOLTAGE
20 TO 60 VOLTS
FORWARD CURRENT
1.0 AMPERE



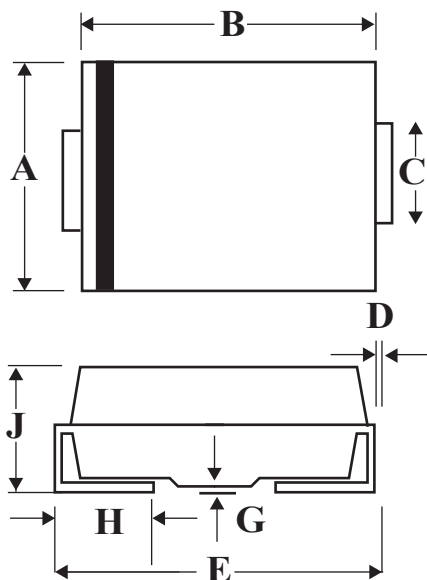
SMA(DO-214AC)

Mechanical Data:

- *Case : Molded Plastic
- *Polarity :Indicated by cathode band
- *Weight : 0.002 Ounce ,0.064 grams

SMA Outline Dimension

Unit:mm



SMA		
Dim	Min	Max
A	2.20	2.92
B	4.00	4.60
C	1.27	1.63
D	0.15	0.31
E	4.48	5.59
G	0.10	0.20
H	0.76	1.52
J	1.70	2.62

Maximum Ratings and Electrical Characteristics

Rating 25 °C Ambient Temperature Unless Otherwise Specified.
Single Phase Half Wave, 60Hz , Resistive or Inductive Load.
For Capacitive Load, Derate Current by 20%.

Characteristics	Symbol	B120	B130	B140	B150	B160	Unit
Maximum Recurrent Peak Reverse Voltage	VRRM	20	30	40	50	60	V
Maximum RMS Voltage	VRMS	14	21	28	35	42	V
Maximum DC Blocking Voltage	VDC	20	30	40	50	60	V
Maximum Average Forward Rectified Current @TC=100 °C	IF(AV)	1.0					A
Peak Forward Surge Current, 8.3 ms Single Half Sine-Wave Superimposed on Rated Load (JEDEC Method)	IFSM	30					A
Maximum Instantaneous At 1.0A DC	VF	0.5			0.7		V
Maximum DC Reverse Current @Tj=25 °C At Rated DC Blocking Voltage @Tj=100 °C	IR	0.5 10					mA
Typical Junction Capacitance (Note 1)	CJ	110					PF
Typical Thermal Resistance (Note 2)	R θJL	20					°C/W
Operating Temperature Range	TJ	-55 to+125					°C
Storage Temperature Range	TSTG	-55 to+150					°C

NOTES: 1.Measured at 1.0MHz applied reverse voltage of 4.0V DC.
2.Thermal Resistance Junction to case.

FIG.1 FORWARD CURRENT DERATING CURVE

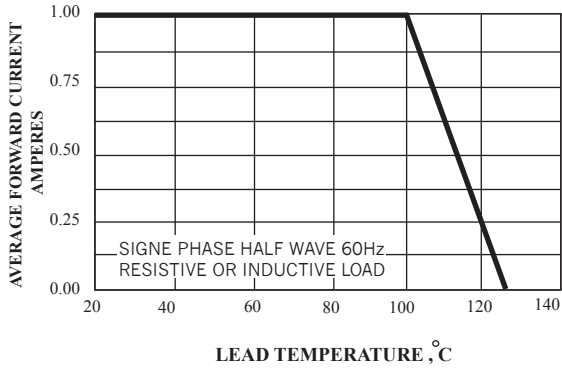


FIG.2 MAXIMUM NON-REPETITIVE SURGE CURRENT

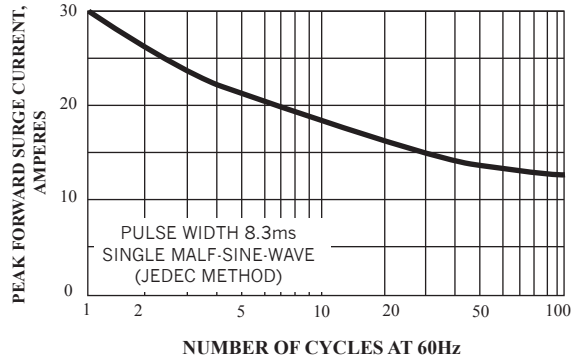


FIG.3 TYPICAL FORWARD CHARACTERISTICS

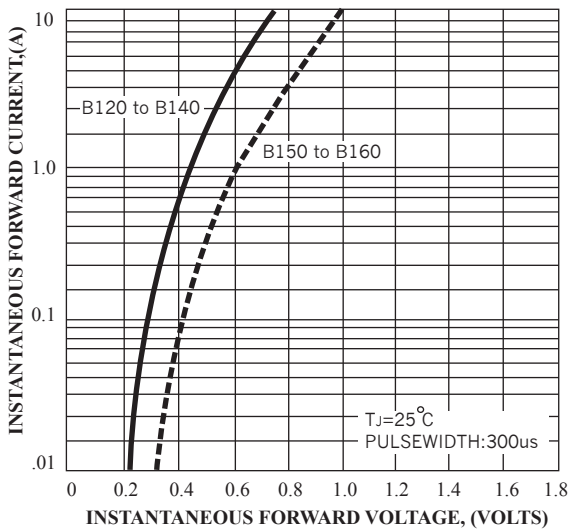


FIG.4 TYPICAL JUNCTION CAPACITANCE

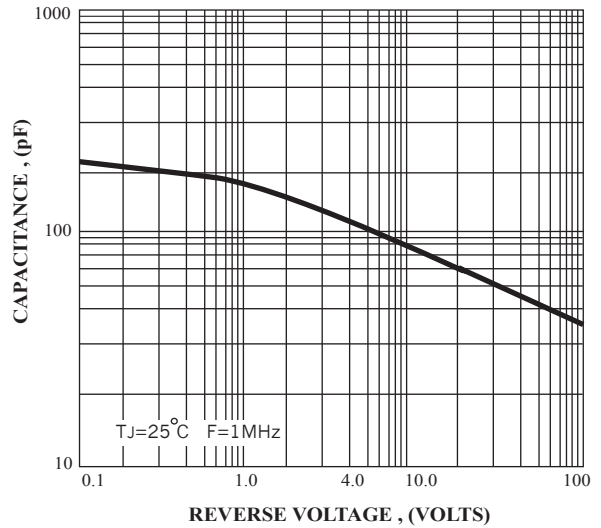


FIG.5 TYPICAL REVERSE CHARACTERISTICS

