

Surface Mount Schottky Barrier Diode

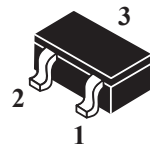
Features:

- *High Reliability
- *Fast Switching
- *PN Junction Guard Ring for Transient and ESD Protection

**SCHOTTKY BARRIER
RECTIFIERS
400mAMPERES
40VOLTS**

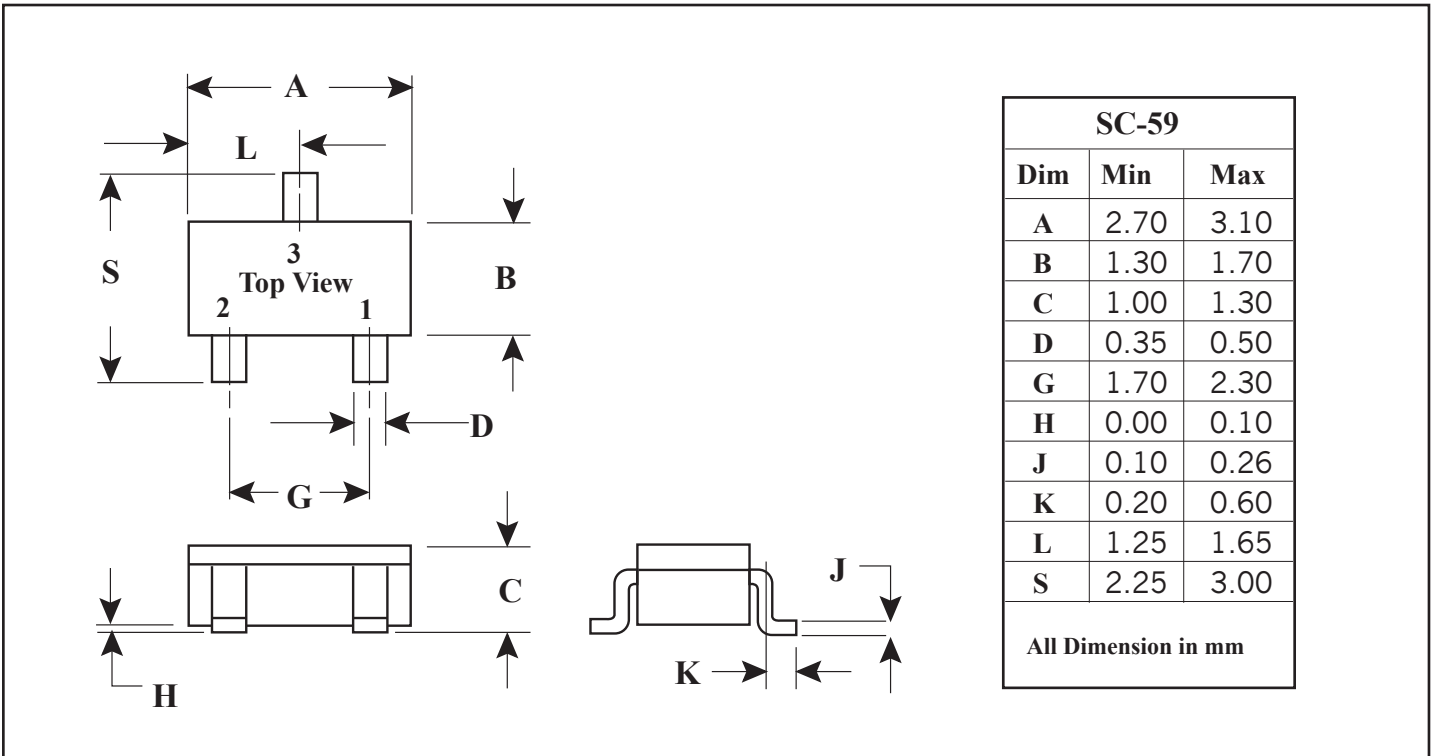
MECHANICAL DATA

- *Case : SOT-346, Molded Plastic
- *Terminals : Solderable per MIL-STD-202, Method 208
- *Polarity : See Diagrams Below
- *Weight : 0.008 grams (approx.)
- *Mounting Position : Any



SC-59

SC-59 Outline Dimension



Maximum Ratings ($T_J=25^{\circ}\text{C}$ Unless otherwise noted)

| Characteristic | Symbol | WSD495 | Unit |
|---|-------------|-------------|--------------------|
| Reverse Voltage | V_R | 40 | Volts |
| Average Rectifier ⁽¹⁾ Forward Current | $I_{F(AV)}$ | 400 | mA |
| Peak Forward Surge Current ⁽²⁾ | I_{FSM} | 2.0 | A |
| Operating Junction Temperature Range | T_J | -40 to +125 | $^{\circ}\text{C}$ |
| Storage Temperature Range | T_{stg} | | |

Electrical Characteristics ($T_A=25^{\circ}\text{C}$ Unless otherwise noted)

| Characteristic | Symbol | Min | Max | Unit |
|--|-------------|-----|--------------|--------------------|
| Reverse Breakdown Voltage ($I_R=100\mu\text{A}$) | $V_{(BR)R}$ | 40 | - | Volts |
| Forward Voltage $I_F=10\text{mA}$ $I_F=200\text{mA}$ | V_F | - | 0.30 0.50 | Volts |
| Reverse Leakage $V_R=10\text{V}$ | I_R | - | 70 | μA_{dc} |

NOTE:

1. Mean Output Current Per Element: $I_{F(AV)}/2$
2. 60HE for 1 \varnothing

Device Marking

| Item | Marking | Equivalent Circuit diagram |
|--------|---------|----------------------------|
| WSD495 | 04F | |

Electrical characteristic curves (Ta=25°C)

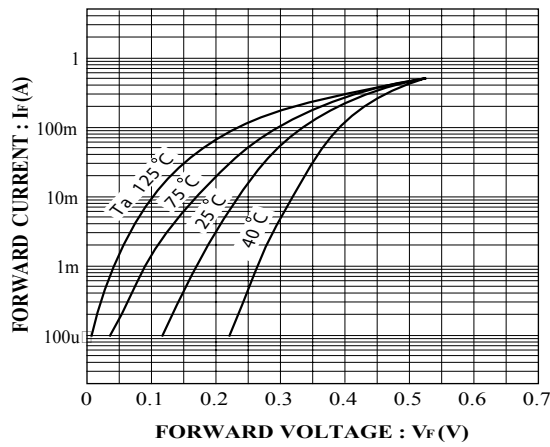


Fig.1 Forward characteristics

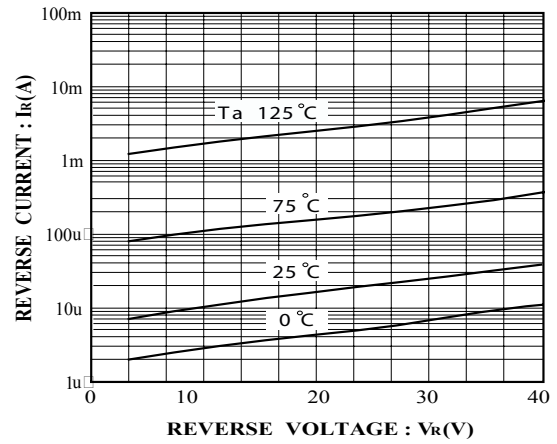


Fig.2 Reverse characteristics

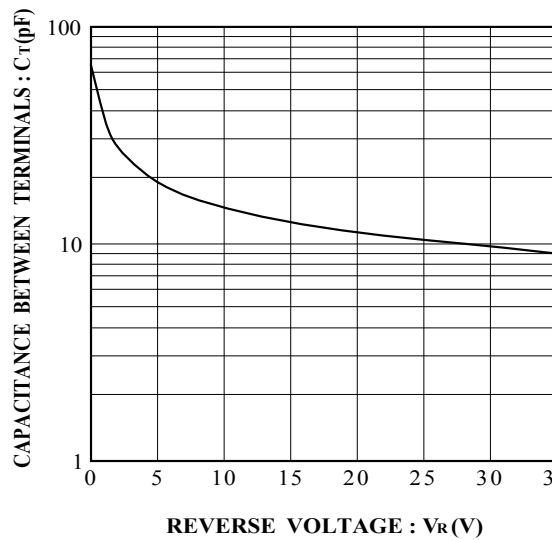


Fig.3 Capacitance between terminals characteristics