

## Surface Mount Schottky Barrier Diodes

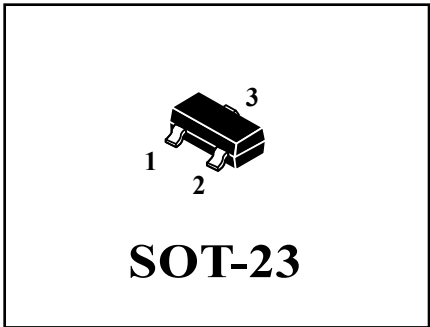
### Features:

- \*Extremely Fast Switching Speed
- \*Low Forward Voltage
- \*Very Small Conduction Losses
- \*Schottky Barrier Diodes Encapsulated in a SOT-23 Package

### Description:

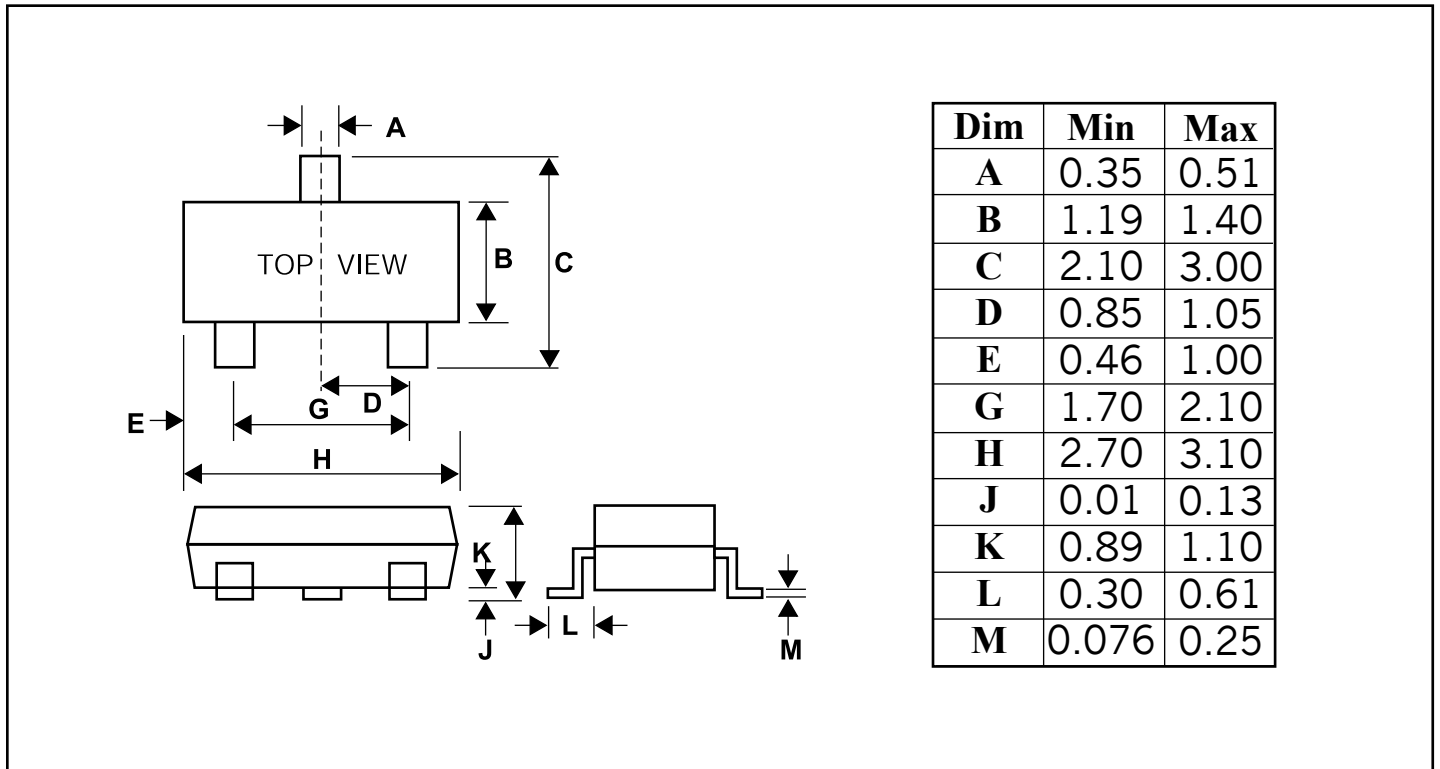
These schottky barrier diodes are designed for high speed switching applications circuit protection, and voltage clamping, Extremely low forward voltage reduces conduction loss, Miniature surface mount package is excellent for hand held and portable applications where space is limited.

**SMALL SIGNAL  
SCHOTTKY DIODES  
30m AMPERES  
40 VOLTS**



## SOT-23 Outline Dimensions

Unit:mm



**Maximum Ratings** ( $T_J=25^{\circ}\text{C}$  Unless otherwise noted)

Characteristic	Symbol	WSD705/706	Unit
Reverse Voltage	$V_R$	40	Volts
Average Rectifier Forward Current	$I_{F(AV)}$	30	mA
Peak Repetitive Forward Current Rated $V_R$ , Square Wave, 20KHz	$I_{FRM}$	200	mA
Operating Junction Temperature Range	$T_J$	-55 to +125	$^{\circ}\text{C}$
Storage Temperature Range	$T_{stg}$	-55 to +150	$^{\circ}\text{C}$

**Electrical Characteristics** ( $T_A=25^{\circ}\text{C}$  Unless otherwise noted)

Characteristic	Symbol	Min	Typ	Max	Unit
Reverse Breakdown Voltage ( $I_R=100\mu\text{A}$ )	$V_{(BR)R}$	40	-	-	Volts
Forward Voltage $I_F=1.0\text{mA}$	$V_F$	-	-	0.37	Volts
Total Capacitance ( $V_R=1.0\text{V}$ , $f=1.0\text{MHz}$ )	$C_T$	-	2.0	-	$P_F$
Reverse Leakage $V_R=10\text{V}$	$I_R$	-	-	1.0	$\mu\text{A}_{dc}$

**Device Marking**

Item	Marking	Equivalent Circuit diagram
WSD705	KL3	
WSD706	LD3	

Electrical characteristic curves ( $T_a = 25^\circ\text{C}$ )

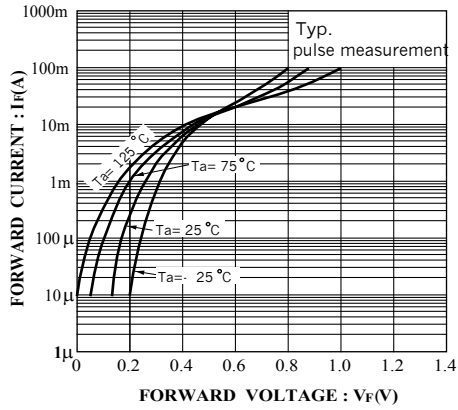


Fig. 1 Forward characteristics

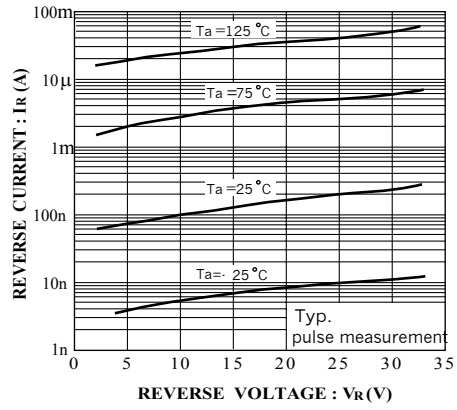


Fig. 2 Reverse characteristics

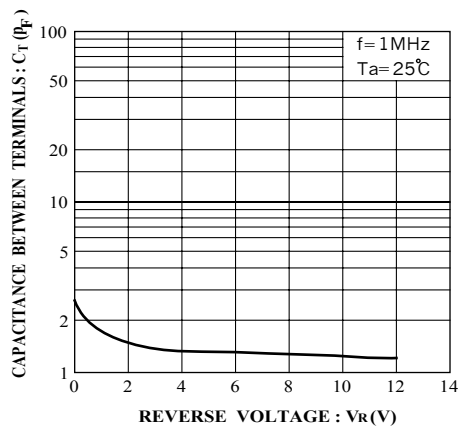


Fig. 3 Capacitance between terminals characteristics